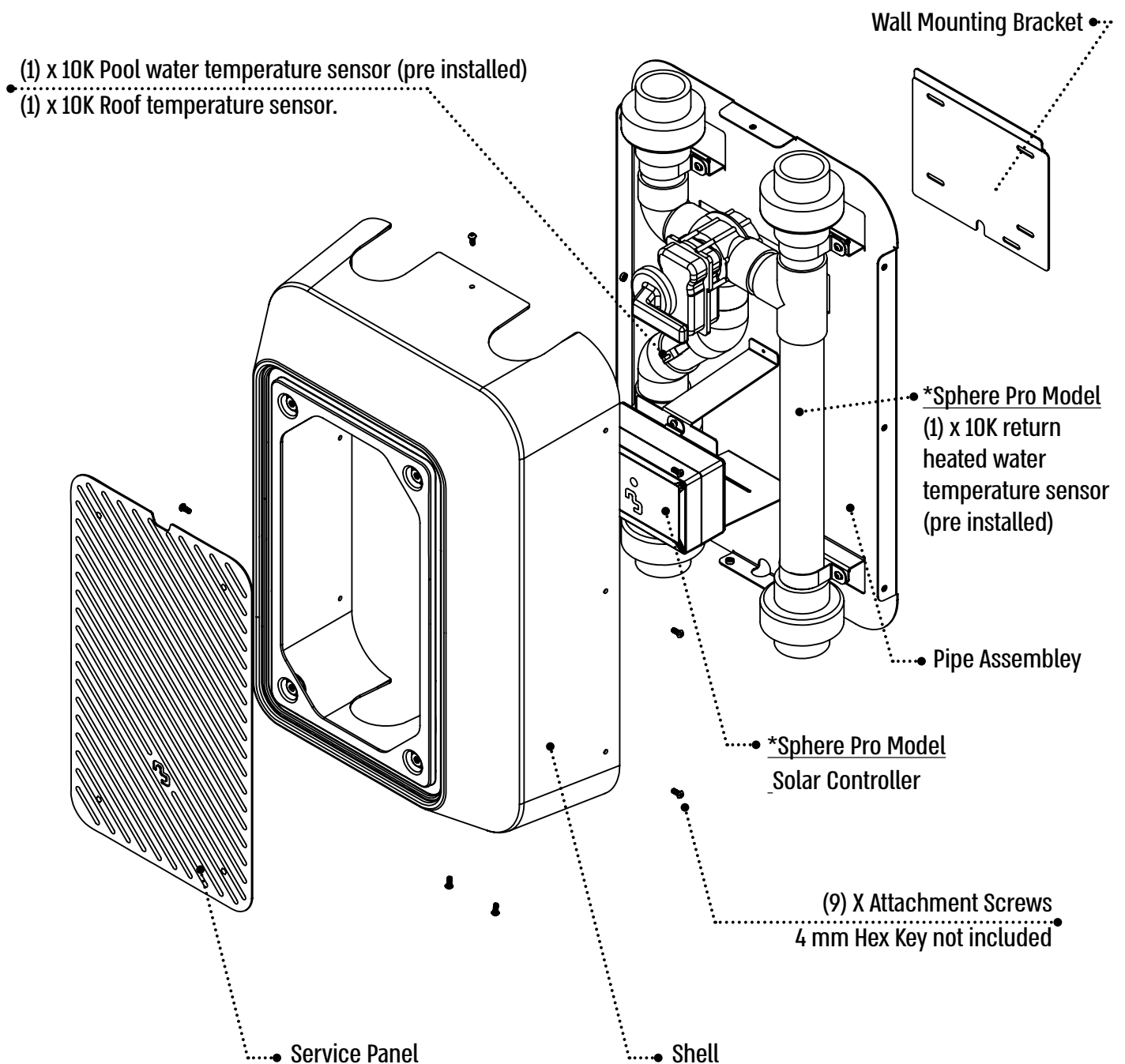


# SPHERE & SPHERE PRO

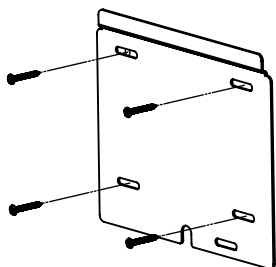
## INSTALLATION MANUAL

### What is in the box?

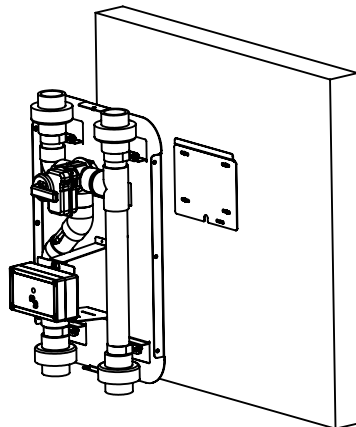


# How to install?

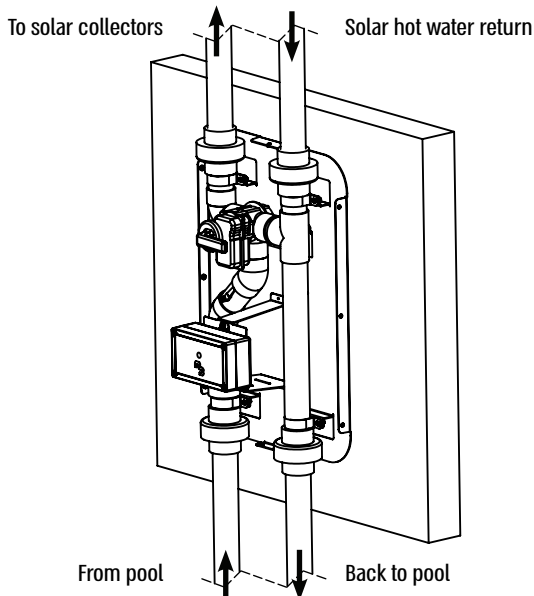
- 1** Install wall mounting bracket to wall at desired height and location (use a level)



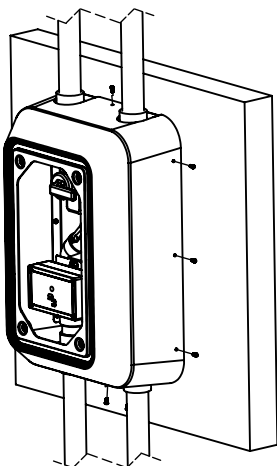
- 2** Mount the pipe assembly to the wall mounting bracket



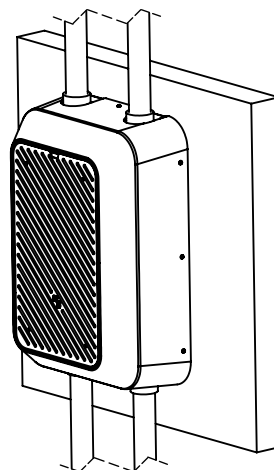
- 3** Assemble and glue Pool & roof's feed and return



- 4** Assemble Shell and fasten (9) screws in place

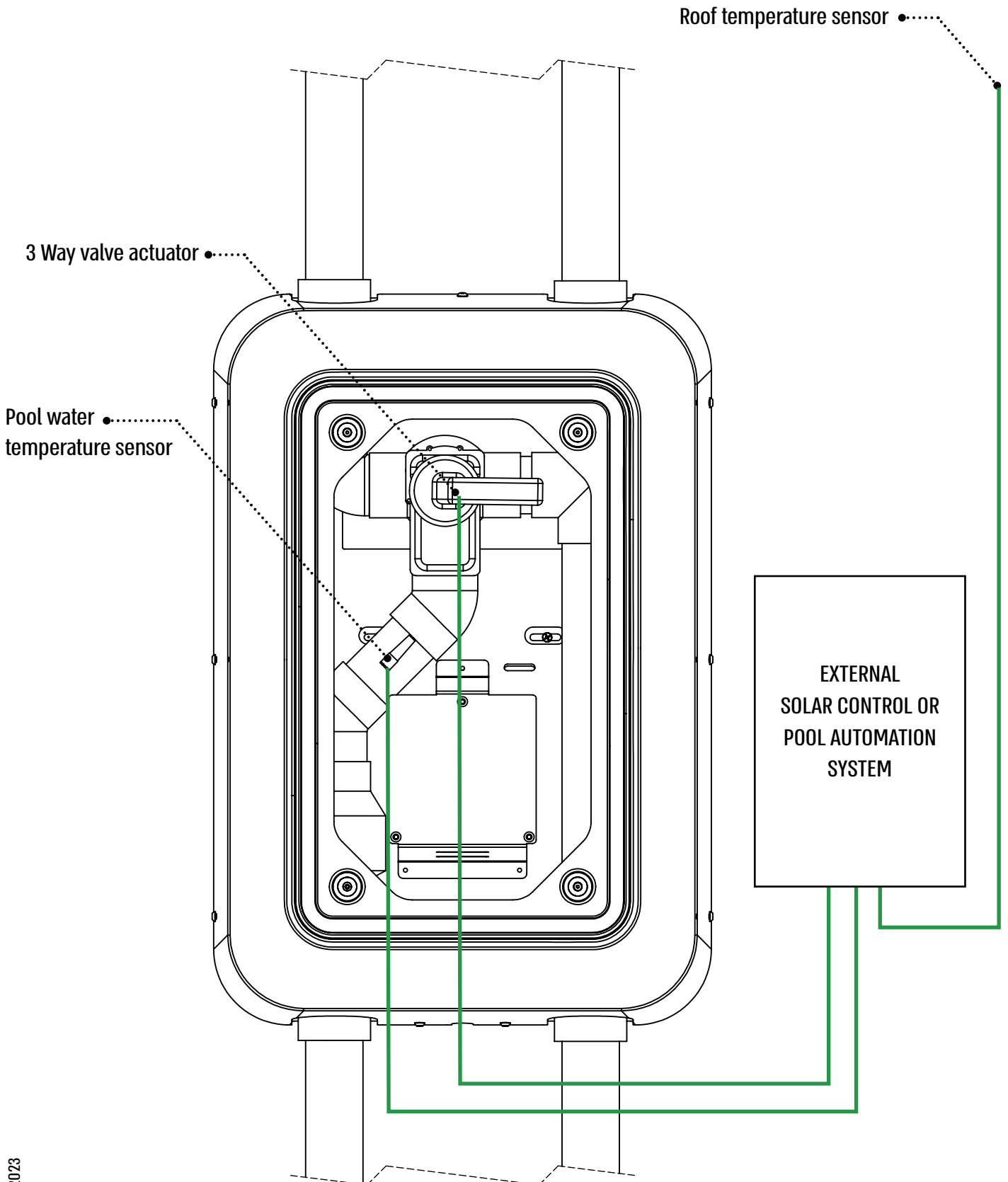


- 5** Place service panel. Magnet's catches will self align and secure it in place



# SPHERE MODEL

## Wiring of a system with an interconnection unit & existing solar control



# SPHERE PRO MODEL

## Wiring diagram

